

PROPRIETARY DATA

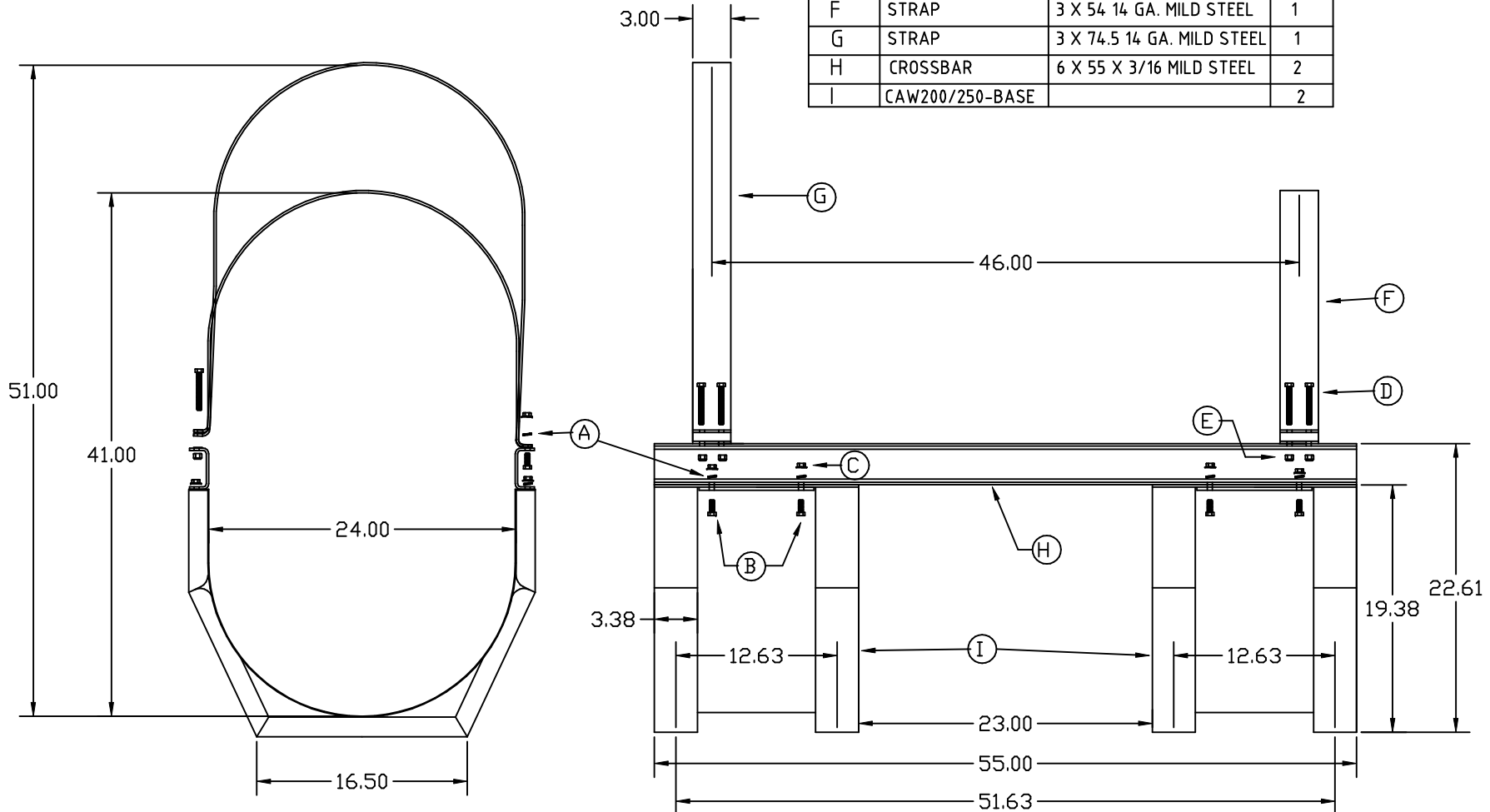
PROPERTY OF ACE ROTO-MOLD MFG., INC. INFORMATION FURNISHED HEREIN IS THE PROPERTY OF ACE ROTO-MOLD MFG., INC. AND SHALL NOT BE USED, DISCLOSED TO OTHERS, OR COPIED WITHOUT THE EXPRESSED WRITTEN CONSENT OF ACE ROTO-MOLD MFG., INC. ALL RIGHTS RESERVED.

MATERIAL/PART SCHEDULE

CAW0250-C

B

KEY	PART/DRAWING #	DESCRIPTION	QTY.
	CAW250-BUNDLE	Parts A-H	1
A	SJ10023	3/8 SPLIT LOCK WASHER	12
B	SJ10089	3/8 X 1 HEX GRADE 5 BOLT	12
C	SJ11093	3/8 - 16 HEX GRADE 5 NUT	12
D	SJ10097	3/8 X 3 HEX BOLT	4
E	SJ10949	3/8 ZINC PLATED NUT	4
F	STRAP	3 X 54 14 GA. MILD STEEL	1
G	STRAP	3 X 74.5 14 GA. MILD STEEL	1
H	CROSSBAR	6 X 55 X 3/16 MILD STEEL	2
I	CAW200/250-BASE		2



REV	DESCRIPTION	DATE	APPRD	DRAWN / DATE	MATERIAL
B	DIMENSIONS ADDED	7/9/07	REH	NVE 7/25/05	
A	TOLERANCE WAS 1% @ 68° F	3/9/07	GWC	APPRD. / DATE DHJ 12/9/05	

ALL DIMENSIONS ARE IN DECIMAL INCHES
TOLERANCES UNLESS OTHERWISE SPECIFIED
DECIMAL +/- .125"
FRACTION +/- 1/4"
ANGLE +/- 1°

THIRD ANGLE PROJECTION
ANSI 14.5M

NOTES:
BLACK COLOR - POWDER COATED

ACE ROTO-MOLD
A DIVISION OF DEN HARTOG INDUSTRIES, INC.
4018 HWY. 60 BLVD., BOX 421, HOSPERS, IOWA 51238

CLIENT / DESCRIPTION: CRADLE ASSEMBLY FOR 250 GALLON CUT AWAY APPLICATOR TANK

SCALE: N.S. PART NO.: CAW0250-C