

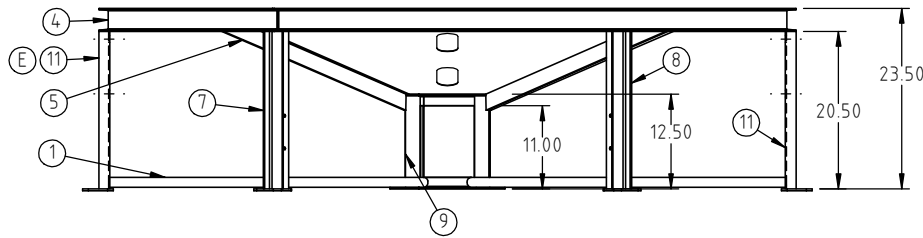
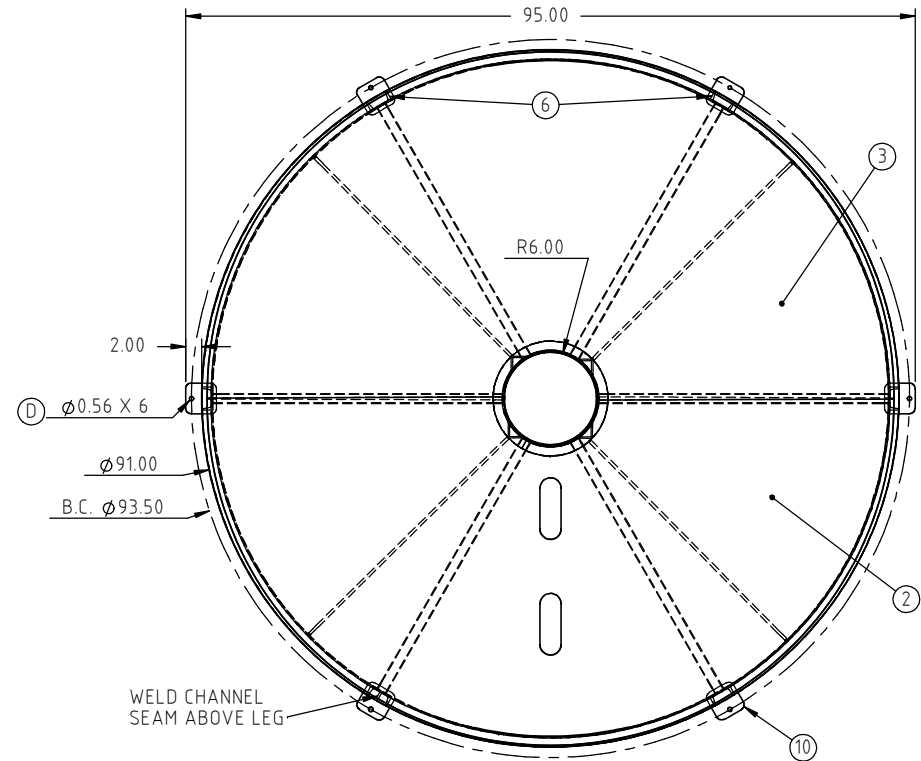
© DEN HARTOG INDUSTRIES, INC.

Copyright. All information furnished within this document, electronic file or design correspondence is the property of Den Hartog Industries, Inc. and shall not be used, disclosed to others or copied without the expressed written consent of Den Hartog Industries, Inc.

KEY	PART NUMBER	DESCRIPTION	QTY.	
1	CB090-15ST-1	CENTER TO LEG PIPE	6	E
2	CB090-15ST-2	1/2 CONE (HOLES)	1	
3	CB090-15ST-3	1/2 CONE	1	
4	CB090-15ST-4	CHANNEL RING	1	
5	CB090-15ST-5	CONE SUPPORT STRAP	4	
6	CB090-15ST-6	CHANNEL LEG	2	
7	CB090-15ST-7	CHANNEL LEG (RIGHT)	1	
8	CB090-15ST-8	CHANNEL LEG (LEFT)	1	
9	12521	CB Ø12" RING STAND	1	
10	12750	1/4" X 4" X 4" LEG PAD	6	
11	CB090-15ST-9	CHANNEL LEG-POWDER COAT	2	

CB090-15ST

E



E	HOLES FOR POWDER COATING ADDED TO TWO LEGS COMPONENT TABLE UPDATED	ADH 7/22/11	2254
D	MATERIAL P.N. CORRECTED 12750 WAS SJCB86/90ST. Ø0.56 WAS Ø0.63, WEIGHT AND FINISH ADDED	ADH 1/29/10	1995
C	12521 WAS SJCB85/90ST-2	ADH 12/7/07	1542
B	TOLERANCE WAS 1%@68°F	GWC 3/8/07	
A	ADDED COMPONENT MATERIALS	NVE 4/11/06	
REV	DESCRIPTION	BY / DATE	CCN

DRAWN / DATE	MATERIAL
ADH 6/29/07	
APPRD. / DATE	
REH 7/18/07	



**Den Hartog**  
INDUSTRIES, INC.

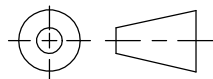
Acra Roto-Mold Injection Molding Blow Molding Sowjoy

4010 HOSPERS DRIVE S. BOX 425, HOSPERS, IOWA 51238-0425

ALL DIMENSIONS ARE IN DECIMAL INCHES  
TOLERANCES UNLESS OTHERWISE SPECIFIED

POLYETHYLENE	METAL DECIMAL ± .125" FRACTION ± 1/4" ANGLE ± 1°
±1% @ 68°F	

THIRD ANGLE PROJECTION  
ANSI 14.5M



SHOT WEIGHT:  
SHIPPING WEIGHT:  
380.00 LBS

FINISH: POWDER COATING,  
BLACK TILE, 40012

NOTES:

DESCRIPTION	CONE BOTTOM STAND FOR Ø90 15° TANKS	
SCALE	N.S.	PART NO. CB090-15ST