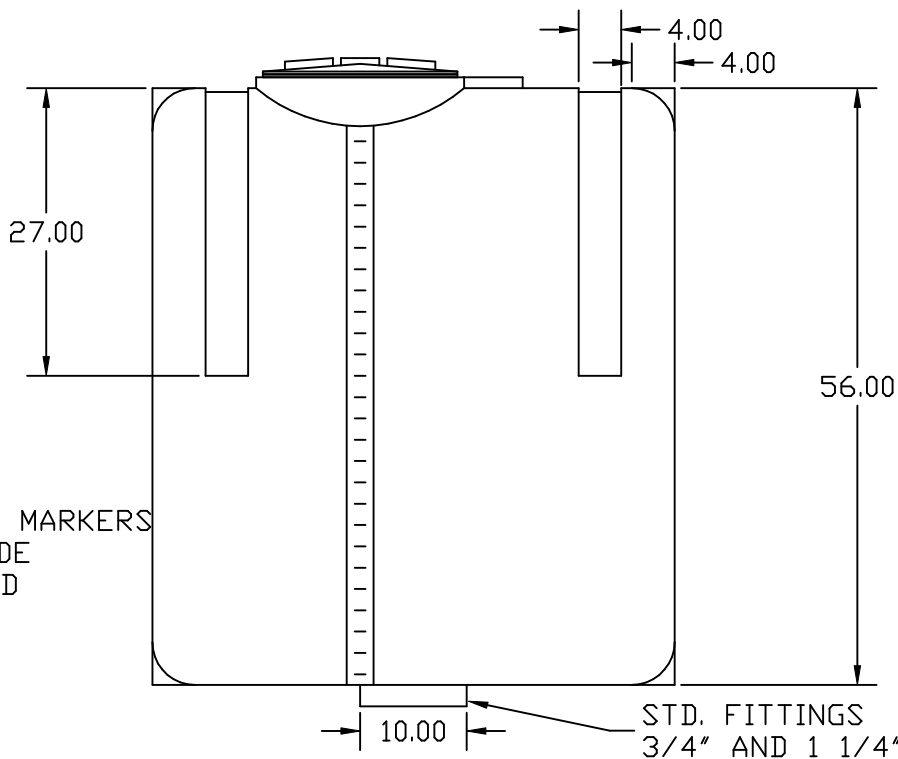
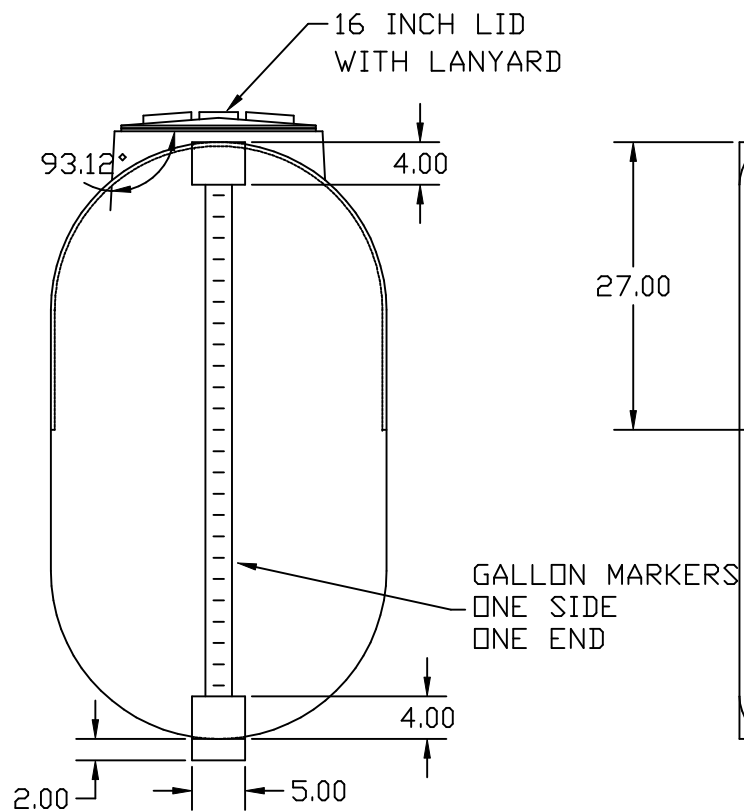
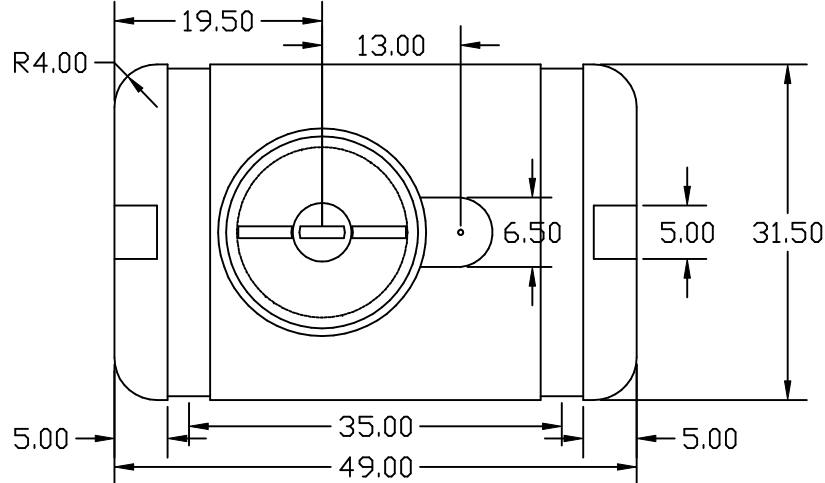



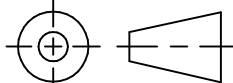
PROPRIETARY DATA

PROPERTY OF ACE ROTO-MOLD MFG., INC. INFORMATION FURNISHED HEREIN IS THE PROPERTY OF ACE ROTO-MOLD MFG., INC. AND SHALL NOT BE USED, DISCLOSED TO OTHERS, OR COPIED WITHOUT THE EXPRESSED WRITTEN CONSENT OF ACE ROTO-MOLD MFG., INC. ALL RIGHTS RESERVED.

OT0300-31

A



				DRAWN / DATE DHJ 2/21/03		MATERIAL		 ACE ROTO-MOLD A DIVISION OF DEN HARTOG INDUSTRIES, INC. 4018 HWY. 60 BLVD., BOX 421, HOSPERS, IOWA 51238	
				APPRD. / DATE ADH 11/14/07		HDPE OR EQUIVALENT REFERENCE MATERIAL DATA SHEET FOR SPECIFIC PROPERTIES.			
A	WEIGHT 100 LBS.	7/28/03		THIRD ANGLE PROJECTION ANSI 14.5M		NOTES:		CLIENT / DESCRIPTION 300 GALLON OVAL TANK	
REV	DESCRIPTION	DATE	APPRD			1. .26 WALL 2. SHOT WEIGHT 100 LBS.		SCALE N.S.	PART NO. OT0300-31
ALL DIMENSIONS ARE IN DECIMAL INCHES TOLERANCES UNLESS OTHERWISE SPECIFIED $\pm 1\% @ 68^\circ F$									